

GSKit8LD Assembly Instructions

Kit Contents:

Quantity	Part Number	Description
4	SLM1	2-ft Acrylic Mirror /w pre-drilled holes
12	-	#6 Machine Screw /w Nut for above
9	SLF1	LED Module Joint Fastener /w mirror support
9	-	#6 Wood Screw for above
8	WLED0	1-ft Low Density White LED Module

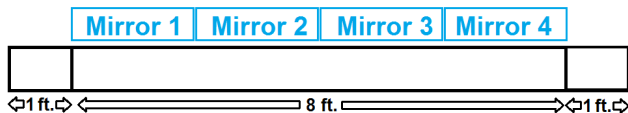
Optional Support: 1"X2" 10 ft. poplar board (Obtain this at your local lumber store)

A 10 ft. 1X2 will support 8 feet of lighting. This leaves 1 ft. at each end to clear the backdrop so that the assembly can be mounted with your choice of mount. We will build the rail upside down with one long edge of each mirror standing up towards the ceiling and the reflective side toward you. To mount the rail for use, it will be pitched forward 180° (in the aeronautical sense of *roll*, *pitch* and *yaw*) which will cause the mirrors to hang downwards with their reflective sides facing away from you and towards the green screen. The rail should be at the same height as the top edge of the green screen backdrop.

Step 1-Optionally paint the rail to desired color. Let it completely dry. Then drill two 1/4" holes with their centers 1 inch from each end of the rail. The rail can be mounted on top of two tripods or stands with 1/4" camera mounts or it can be hung from the ceiling.

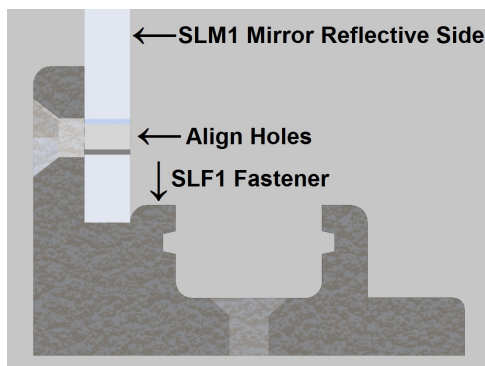


Step 2-Mark the center-point of the rail with a pencil on the 2" side of rail that will ultimately face downwards. The four mirrors will be arranged in a single series along the middle of the support. For the purpose of this discussion, mirrors are numbered from left to right as 1, 2, 3 and 4. This procedure describes how to mount them in a chronologic order of 2, 3, 1, 4. You will mount them with the reflective side of the mirror facing you and the back side away from you.

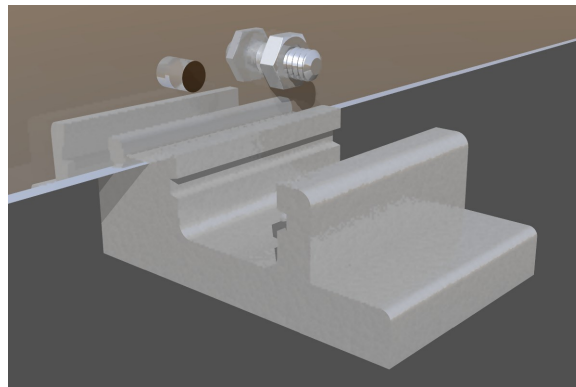


Step 3-Prepare Mirror #2.

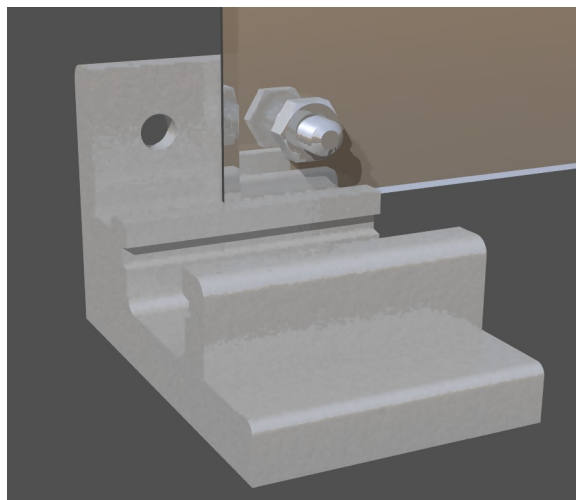
Step 3a-Align a fastener to the double holes near the middle of the long edge of the mirror. Place the mirror mounting tab away from you.



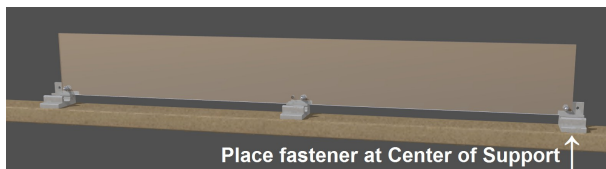
Step 3b-Insert a machine screw to one of the dual counter-sunk holes on the back of fastener and secure it through the mirror with a nut. It doesn't matter which hole you use.



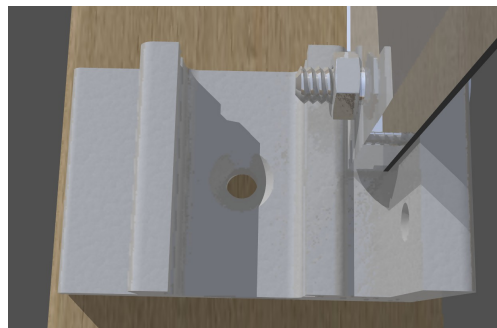
Step 3c-Mount a fastener at each end of the mirror. Place corner of the mirror in the middle of fastener so that half of the fastener extends beyond the mirror.



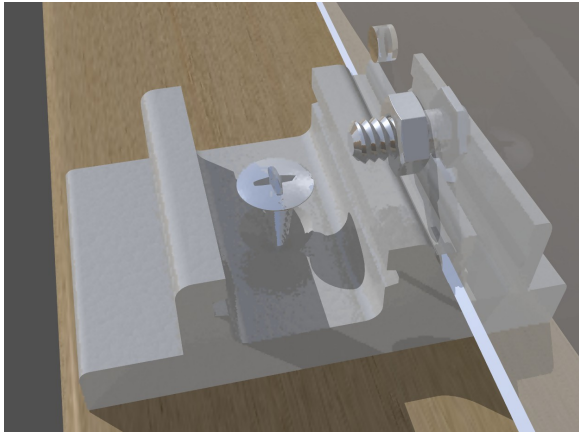
Step 3d-Arrange the fasteners so they are flat and straight centered along the rail. The right-most fastener will mount where you have marked the center of the rail in step 2.



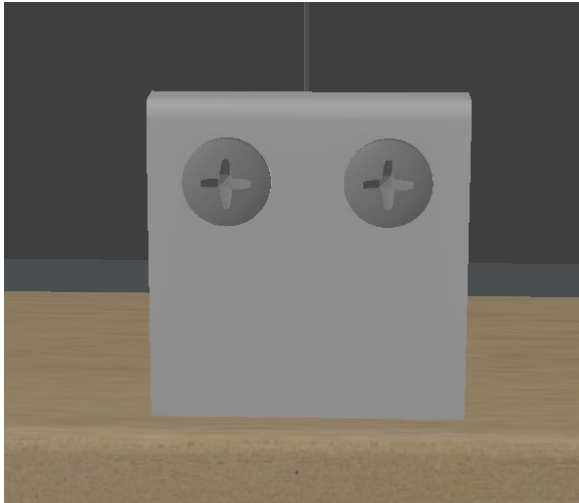
Step 3e-Mark the position of the hole in base of each fastener with a pencil. Then drill three pilot holes in the rail with a 1/16" drill bit.



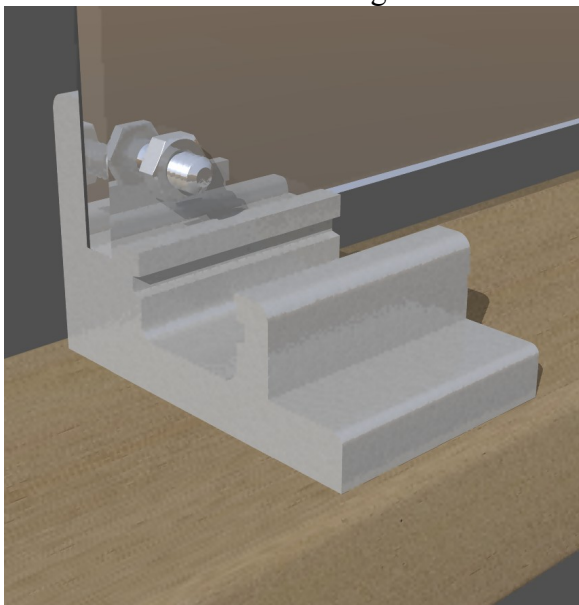
Step 3f-Secure the assembly to the rail with three supplied wood screws.



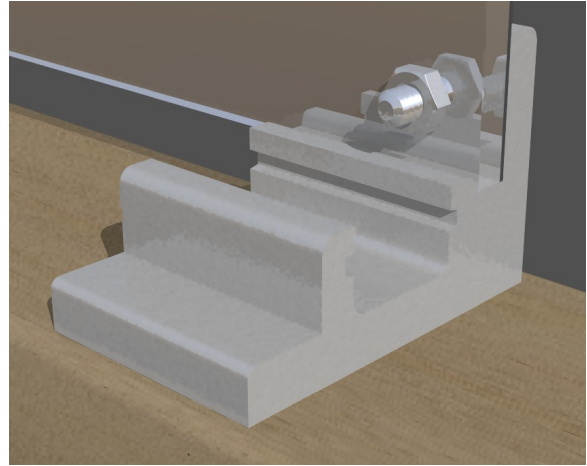
Step 4-Prepare Mirror 3 in similar fashion to procedure for the first mirror in steps 3a~3f. You will only need two fasteners and two wood screws. One goes in the middle of the mirror and the other goes on the right end. The left end will share the right fastener of Mirror 2 that is in the center of the rail. After mounting the Mirror 3 assembly, the back side of the joining fastener should look like the picture below. This view is from the non-reflective side of the mirrors.



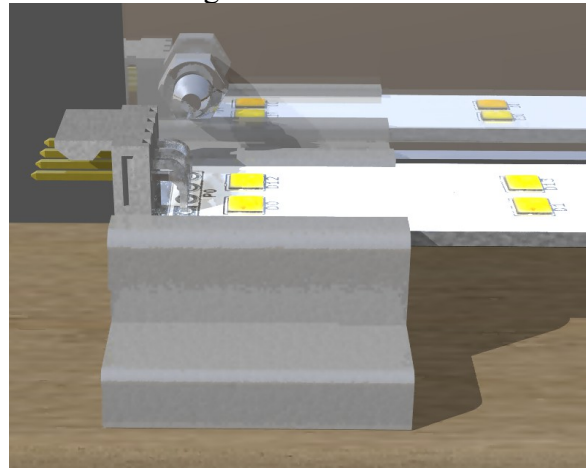
Step 5-Prepare Mirror 1 in similar fashion to the procedure for step 4. The fastener that goes on the left end will also be at the left end of the whole series. For Mirror 1 & 4, the fastener that is not shared should be mounted so that its outer edge is flush with the end of the mirror. The other hole in the fastener will go unused.



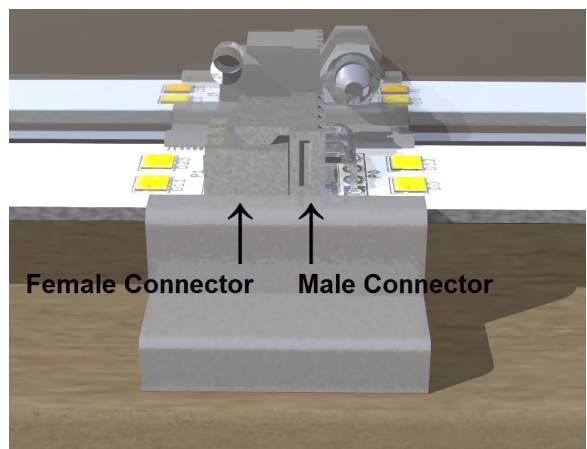
Step 6-Prepare Mirror 4 in similar fashion to the procedure for step 5. The right end of this mirror has its own fastener and the left end will share a fastener with Mirror 3.



Step 7-Next we will mount the LED modules starting with the end of the rail that will receive power from your power source. Be careful not to touch or put pressure on the LEDs as they are very delicate. Insert the female end of the LED module through the slot of the next fastener that is one past the end fastener. Continue to slide the module out through the other side of the fastener. The male end should clear the first fastener so that it can be inserted into the first fastener. Then thread it back through the first fastener until the female end is in the middle of its fastener. This will put the end of the male connector of the first module at the edge of the first fastener as shown.



Step 8-Repeat this process for each of the modules until they are all mounted. Be careful to seat the male connector into the preceding module's female connector as you thread it back through its fastener.



Step 9-To mount the unit, flip the whole unit over 180° so that the reflective side of the mirrors faces toward the green screen. This might require two people. You can use a tripod stand on each end (portable) or hang from the ceiling (permanent).